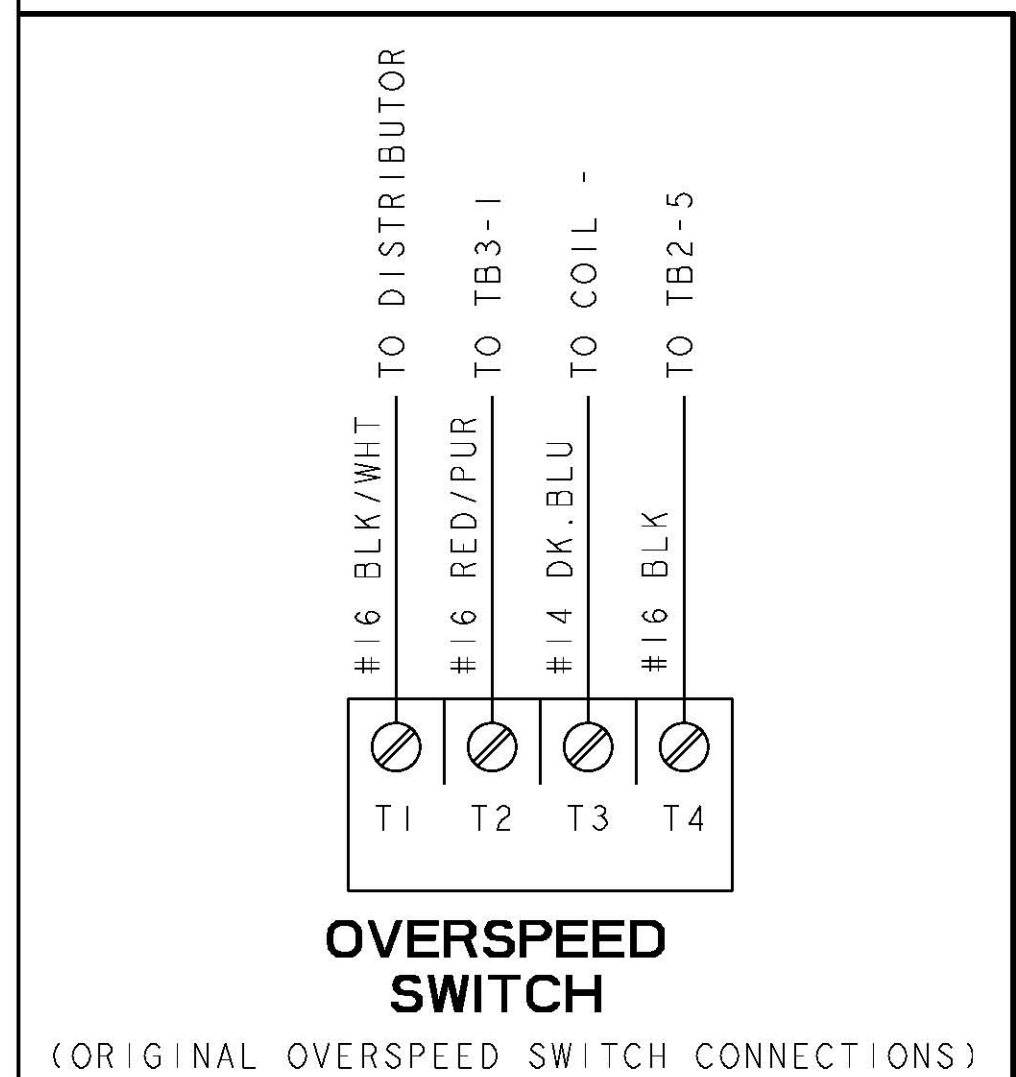
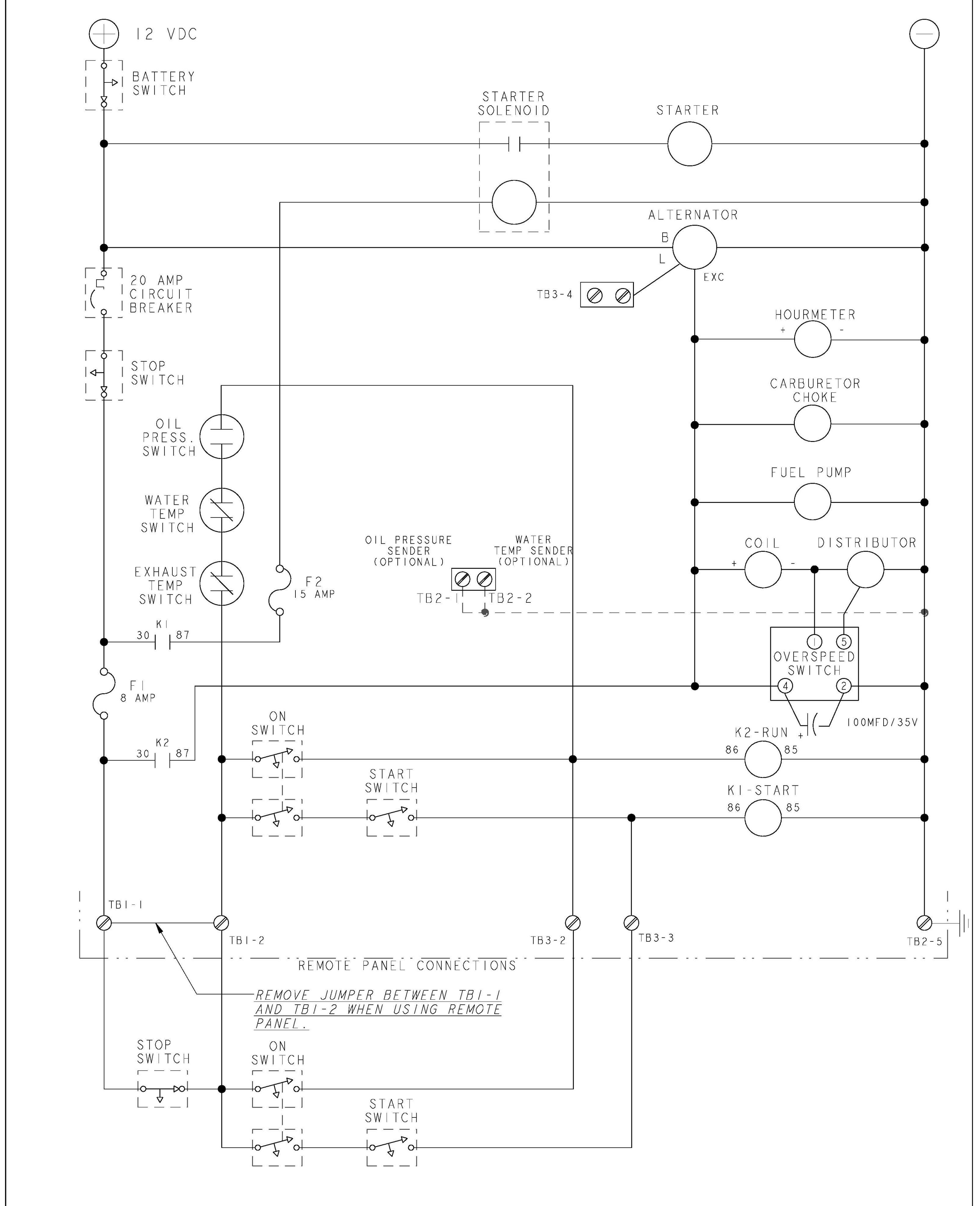
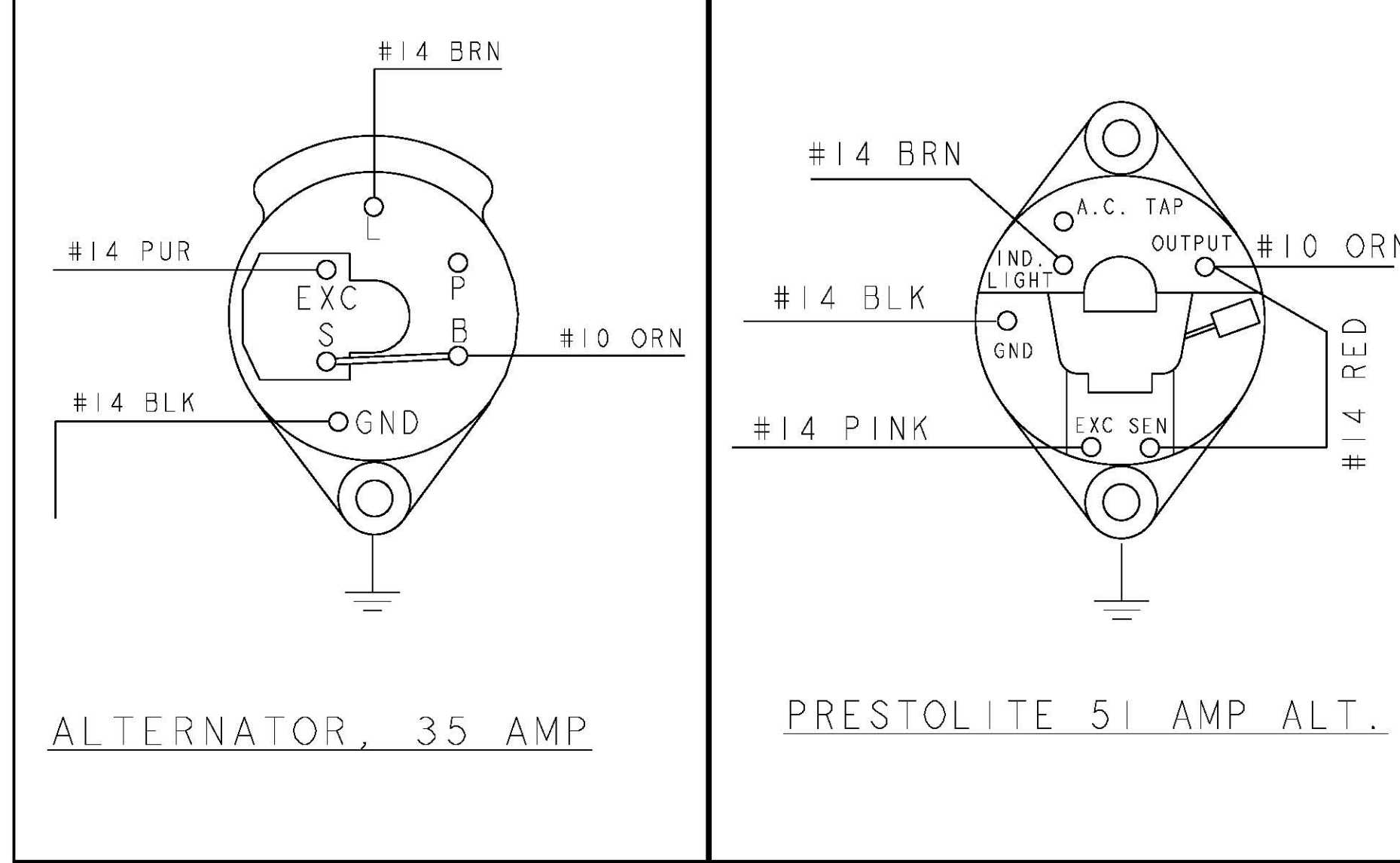
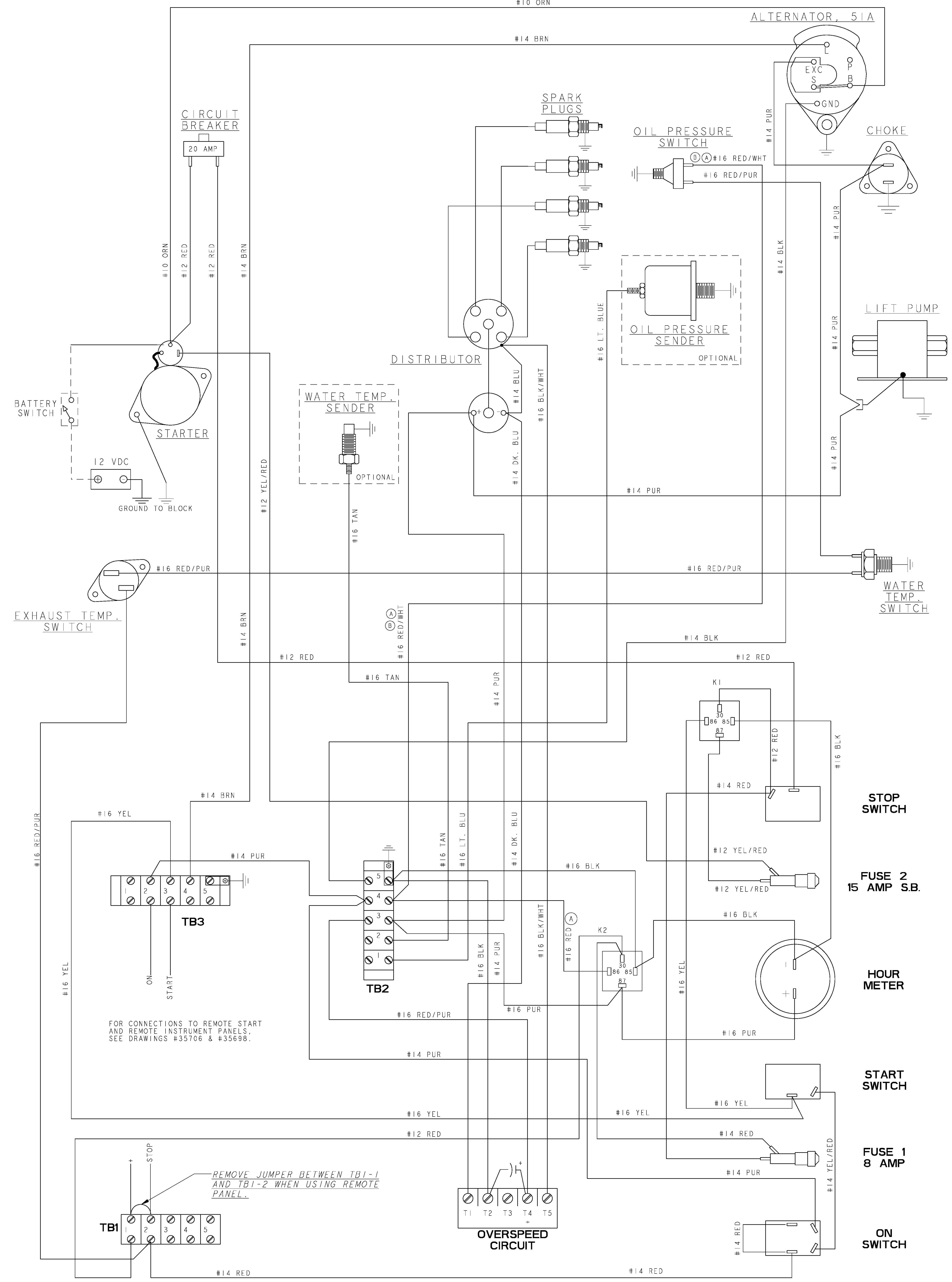


ECO NO.		DATE		REV.		REVISION RECORD		AUTH.		DR. BY	
4644	3/23	68	A	CHANGED WIRE COLOR FROM RED/PUR TO RED TO MATCH HARNESS. P/N 44616. CHANGED WIRE FROM RED/PUR TO PUR TO MATCH HARNESS. P/N 44617.							TSM
4840	3/15	01	B	CHANGE WIRE FROM OIL PRESS. TO TB2-4 FROM #16 PUR TO #16 RED/WHITE							JH



TOLERANCES (UNLESS OTHERWISE NOTED)		WESTERBEKE CORPORATION AVON MA. 02322	
INCHES	MILLIMETERS	TITLE	
.XX	.02	WIRING DIAGRAM, 8.5, 12.5, AND 15.0 KW BTG GASOLINE GENSETS	
XXX	.000	DATE	3/15/01
CAST	.XX	SCALE	"
FINISH		SHEET	1 OF 1
DIMENSIONS (WHEN APPLICABLE)		APPROVED BY	DATE
		SCALE	"
		SHEET	1 OF 1
		DATE	3/15/01
		DRAWING NUMBER	44628
		REV.	B